

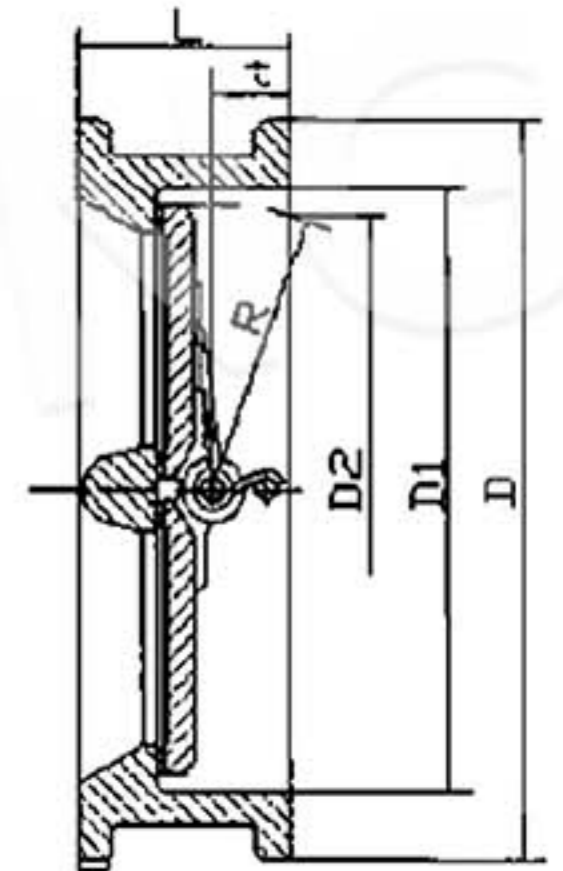
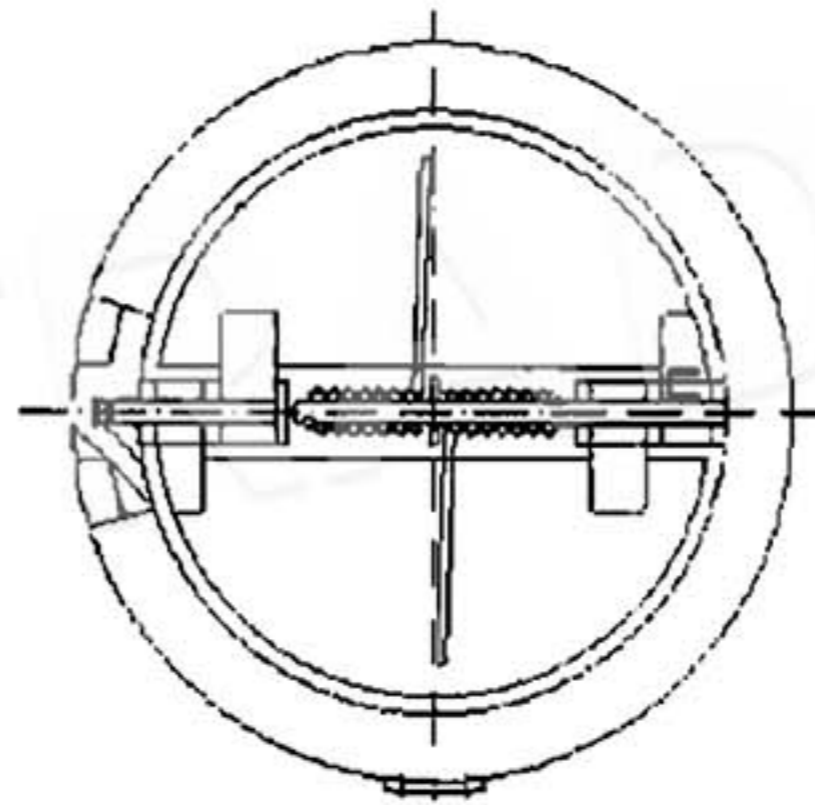
CHECK VALVE



WAFER DUAL PLATE CHECK VALVE FLANGED ENDS

FEATURE AND APPLICATION

- Design Standard : API 594 , API 598
- Wafer type connection
- Dual plate disc
- SUS 304 Disc
- SUS 304 Spring & Stem
- Applicable Medium : Water , Air, Oil, Acid, etc.
- Flange End Connections : Jis 10K , ANSI150, PN10/16
- Max.Working Pressure : 232 PSI (16 Bar)
- Max.Working Temperature : -15 °C To 140 °C
- Size Range : 2" - 12"



Bill of Materials

Seqyebce	Description	Material	Sizes
1	Body	Cast Iron	All
2	Disc	SUS 304	All
3	Spring	SUS 304	All
4	Stem	SUS 304	All
5	Seat	EPDM	All

Dimensions

mm

DN	INCH	D	D1	D2	L	R	T
50	2"	107	65	43.3	43	28.8	19
65	2-1/2"	127	80	60.2	46	36.1	20
80	3"	142	94	66.4	64	43.4	28
100	4"	162	117	90.8	64	52.8	27
125	5"	192	145	116.9	70	65.7	30
150	6"	218	170	144.6	76	78.6	31
200	8"	273	224	198.2	89	104.4	33
250	10"	328	265	233.7	114	127	50
300	12"	378	310	283.9	114	148.3	43